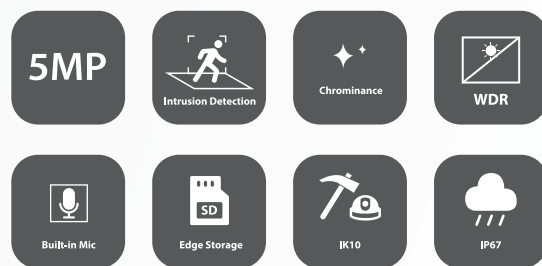


TECHNICAL PRODUCT SHEET

TDODIM510F

5MP Fisheye Fixed Dome Network Camera



Features

- High quality image with 5MP, 1/2.8"CMOS sensor
- 5MP (2592*1944):@ 30/25fps;
- Ultra 265, H.265, H.264, MJPEG
- 120dB true WDR technology enables clear image in strong light scene
- Built-in 2 Mic, Supports the detection of sounds over longer distances
- Alarm:1 in/1 out, Audio: 1 in/1 out
- Smart IR, up to 10m (33ft) IR distance
- Supports 256 G Micro SD card
- IK10 vandal resistant
- IP66 protection
- Support PoE power supply

TDODIM510F

Technical Specification

Camera					
Sensor	1/2.8", progressive scan, 5.0 megapixel, CMOS				
Lens	1.4mm@F2.0				
DORI Distance	Lens (mm)	Detect (m)	Observe (m)	Recognize (m)	Identify (m)
	1.4mm	31.5	12.6	6.3	3.2
Angle of View	360°				
Shutter	Auto/Manual, shutter time: 1~1/100000 s				
Minimum Illumination	Colour: 0.01 Lux (F2.0, AGC ON) 0 Lux with IR				
Day/Night	IR-cut filter for day & night function				
WDR	120dB				
S/N	>55dB				
IR Range	Up to 33ft IR range				
Wavelength	850nm				
S/N	>55dB				
IR Range	Up to 40m (131ft) IR range				
Wavelength	850nm				
IR On/Off Control	Auto/Manual				
Video					
Compression	Ultra 265, H.265, H.264, MJPEG				
H.264 code profile	Baseline profile, Main Profile, High Profile				
Frame Rate	Main Stream: 5MP (2592*1944): Max.30fps; Sub Stream: 1080P (1920*1080): Max.30fps; 720P (1280*720), Max 30fps; Third Stream: D1 (720*576), Max 30fps; 640*360,Max 30fps; 2CIF(704*288), Max 30fps; CIF(352*288), Max 30fps;				
Video Bit Rate	128 Kbps~16 Mbps				
U-code	Support				
ROI	Up to 8 areas				
Video Stream	Triple streams				
OSD	Up to 8 OSDs				
Privacy Mask	Up to 4 areas				
Image					
White Balance	Auto/Outdoor/Fine Tune/Sodium Lamp/Locked/Auto2				
Image Setting	Image rotation, brightness, saturation, contrast, sharpness, gain adjustable by web browser				
Digital noise reduction	2D/3D DNR				
Smart IR	Support				
Flip	Normal/Flip Vertical/ Flip Horizontal/180°				
Dewarping	N/A				
HLC	N/A				

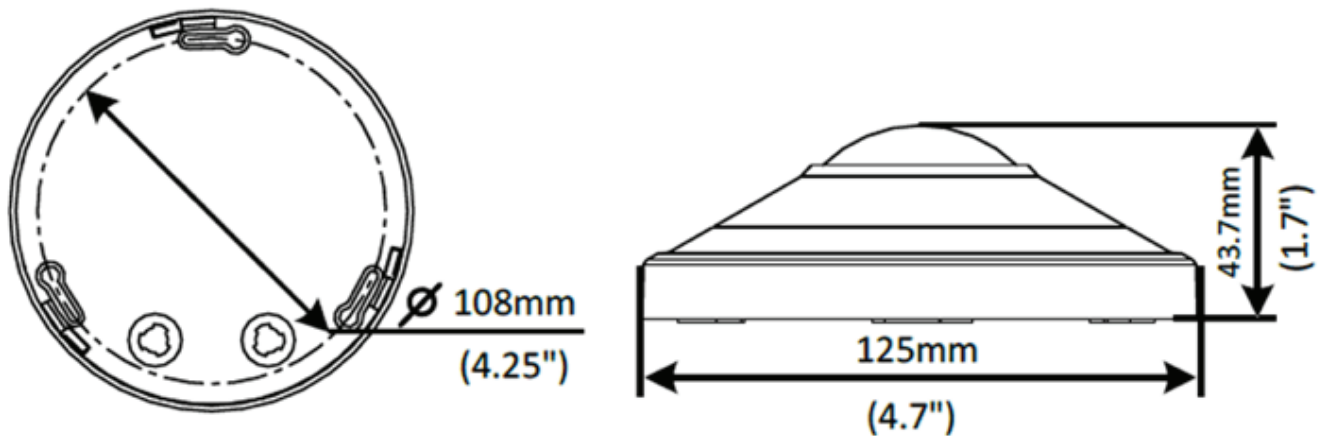
TDODIM510F

BLC	Supported
Defog	Digital Defog
Events	
Statistical Analysis	Heat map
Basic Detection	Motion detection, tampering alarm, audio detection
General Function	Watermark, IP Address Filtering, Tampering Alarm, Alarm input, Alarm output, Access Policy, ARP Protection, RTSP Authentication, User Authentication
Audio	
Audio Compression	G.711
Audio Bitrate	64 Kbps
Two-way audio	Supported
Suppression	Supported
Sampling Rate	8 KHZ
Storage	
Edge Storage	Micro SD, up to 256GB
Network Storage	ANR, NAS(NFS)
Network	
Protocols	IPv4, IGMP, ICMP, ARP, TCP, UDP, DHCP, PPPoE, RTP, RTSP, RTCP, DNS, DDNS, NTP, FTP, UPnP, HTTP, HTTPS, SMTP, 802.1x, SNMP, QoS, RTMP, SSH
Compatible Integration	ONVIF (Profile S, Profile G, Profile T), API,SDK
User/Host	Up to 32 users. 2 user levels: administrator and common user
Security	Password protection, Strong password, HTTPS encryption, Export operation logs, Basic and digest authentication for RTSP, Digest authentication for HTTP, TLS 1.2, WSSE and digest authentication for ONVIF
Client	TDSS Guardian mobile TDSS GUARDIAN PC/MAC
Web Browser	Plug-in required live view: IE9+, Chrome 41 and below, Firefox 52 and below
	Plug-in free live view: Chrome 57.0+, Firefox 58.0+, Edge 16+
Live View Display	
Mount Type	Support table, wall, and ceiling
Decoding Mode	Support software decoding
Display Mode	11 display modes in total Software decoding: Ceiling mount: fisheye view, 360°Panoramic+1PTZ, 180°Panoramic, Fisheye+3PTZ, Fisheye+4PTZ, 360°Panoramic+6PTZ, Fisheye+8PTZ Wall mount: fisheye view, Panoramic, Panoramic+3PTZ, Panoramic+4PTZ, Panoramic+8PTZ Table mount: fisheye view, 360°Panoramic+1PTZ, 180°Panoramic, Fisheye+3PTZ, Fisheye+4PTZ, 360°Panoramic+6PTZ, Fisheye+8PTZ
Interface	
Audio I/O	Input: impedance 35 kΩ; amplitude 2 V [p-p]
	Output: impedance 600 Ω; amplitude 2 V [p-p]
Alarm I/O	1/1
RS485	N/A
Built-in Mic	Supported 2

TDODIM510F

Built-in Speaker	N/A
WIFI	N/A
Network	1 RJ45 10M/100M Base-TX Auto-adaptive Ethernet
Video Output	N/A
Certifications	
EMC	FCC CFR 47 Part 15 EN 55032:2015 EN 55024:2010 EN 61000-3-2:2014 EN 61000-3-3-2013
Safety	IEC 62368-1 EN 62368-1 UL 62368-1
Environment	CE-ROHS (2011/65/EU;(EU)2015/863); WEEE (2012/19/EU); REACH (Regulation (EC) No 1907/2006)
Protection	Ingression protection: IP66 (IEC 60529-2013) Vandal resistant: IK10 (IEC 62262:2002)
General	
Power	DC12V±25%,PoE (IEEE 802.3af)
	Power consumption: Max. 8.5W
Power Interface	Ø 5.5mm coaxial power plug
Dimensions (Φ × H)	Φ125 × 43.7 mm (Φ4.9" × 1.7")
Weight	0.36kg (0.79lb)
Material	Metal + Plastic
Working Environment	-30°C ~ 60°C (-22°F ~ 140°F), Humidity: ≤95% RH (non-condensing)
Storage Environment	-30°C ~ 60°C (-22°F ~ 140°F), Humidity: ≤95% RH (non-condensing)
Surge protection	4KV
Reset Button	Supported

Dimensions



TDODIM510F

Accessories

TR-JB03-H-IN



TR-A01-IN



Junction box	Indoor pendent mount
TR-JB03-H-IN+TR-A01-IN	TR-JB03-H-IN +TR-A01-IN+ TR-SE24-IN(TR-SE24-A-IN)+ TR-CM24-IN
