

# TECHNICAL PRODUCT SHEET

## **TDNVR8P8K-M-2T** **TDNVR16P16K-M-2T**

### Network Video Recorder



### Key Features

- Support Ultra265/H.265/H.264 video formats
- 8/16-channel input
- Plug & Play with 8/16 independent PoE network interfaces
- Third-party IP cameras supported with ONVIF conformance: Profile S, Profile G, Profile T
- Support HDMI and VGA simultaneous output
- Up to 8 Megapixels resolution recording
- 2 SATA HDDs, up to 10TB for each HDD
- ANR technology to enhance the storage reliability when the network is disconnected
- Support cloud upgrade

# Specifications

TDNVR8P8K-M-2T | TDNVR16P16K-M-2T

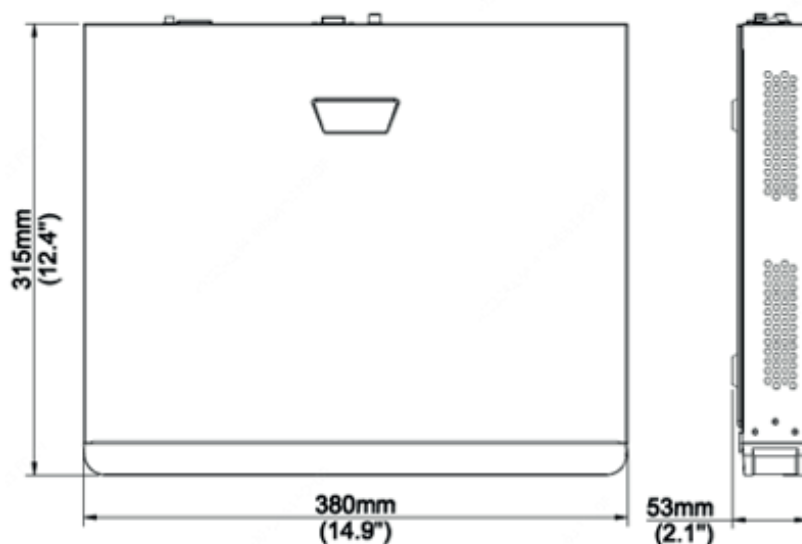
Model	TDNVR8P8K-M-2T	TDNVR16P16K-M-2T
<b>Video/Audio Input</b>		
IP Video Input	8-ch	16-ch
Two-way Audio Input	1-ch, RCA	
<b>Network</b>		
Incoming Bandwidth	160Mbps	
Outgoing Bandwidth	64Mbps	
Remote Users	128	
Protocols	P2P, UPnP, NTP, DHCP, PPPoE	
<b>Video/Audio Output</b>		
HDMI/VGA Output	<ul style="list-style-type: none"> <li>HDMI: 4K (3840x2160@30), 1920X1080@60, 1920X1080@50, 1600X1200@60, 280X1024@60, 1280X720@60, 1024X768@60</li> <li>VGA: 1920X1080@60, 1920X1080@50, 1280X1024@60, 1280X720@60, 1024X768@60</li> </ul>	
Recording Resolution	8MP/6MP/5MP/4MP/3MP/1080p/960p/720p/D1/2CIF/CIF	
Audio Output	1-ch, RCA	
Synchronous Playback	8-ch	16-ch
Corridor Mode Screen	3/4/5/7/9	3/4/5/7/9/10/12/16
<b>Decoding</b>		
Decoding format	Ultra265/H.265/H.264	
Live view/Playback	8MP/6MP/5MP/4MP/3MP/1080p/960p/720p/D1/2CIF/CIF	
Capability	2 x 4K@30, 4x 4MP@30, 5 x 3MP@30, 8 x 1080P @30	2 x 4K@30, 4x 4MP@30, 5 x 3MP@30, 8 x 1080P@30, 16 x 720P@30
<b>Hard Disk</b>		
SATA	2 SATA interfaces	
Capacity	Up to 10TB for each disk	
<b>Smart</b>		
VCA Detection	Face detection, Intrusion detection, Cross line detection, Audio detection, Defocus detection, Scene change detection, Auto tracking, Object Left Behind, Object Removed	
VCA Search	Face search, Behavior search	
Statistical Analysis	People counting	

# Specifications

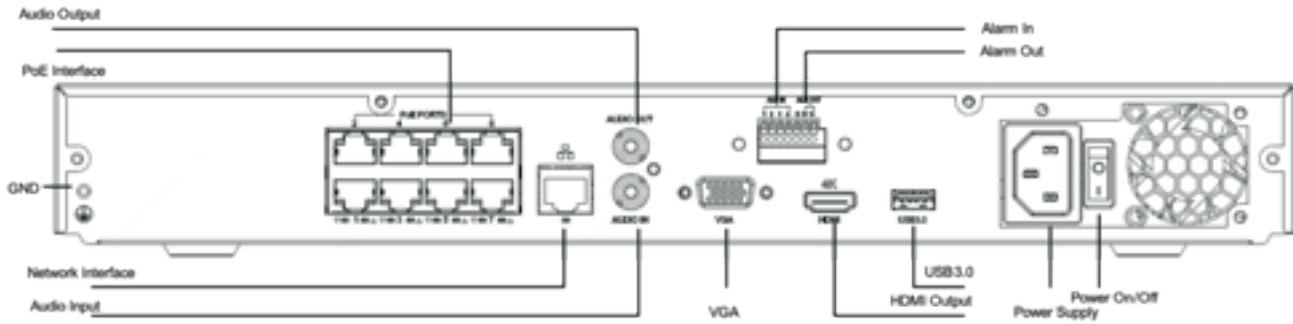
TDNVR8P8K-M-2T | TDNVR16P16K-M-2T

Model	TDNVR8P8K-M-2T	TDNVR16P16K-M-2T
<b>External Interface</b>		
Network Interface	1 RJ-45 10M/100M/1000M self-adaptive Ethernet Interface	
USB Interface	Front panel: 1 x USB2.0, Rear panel: 1 x USB3.0	
Alarm In	4-ch	
Alarm Out	1-ch	
<b>PoE</b>		
Interface	8 RJ-45 10M/100M self-adaptive Ethernet Interface	16 RJ-45 10M/100M self-adaptive Ethernet Interface
Max Power	<ul style="list-style-type: none"> <li>• Max 30W for single port</li> <li>• Max 130W in total</li> </ul>	<ul style="list-style-type: none"> <li>• Max 30W for single port</li> <li>• Max 240W in total</li> </ul>
Supported Standard	IEEE 802.3af/at	
<b>General</b>		
Power Supply	<ul style="list-style-type: none"> <li>• 100 ~ 240 V AC</li> <li>• Power Consumption: ≤10W(without HDD)</li> </ul>	
Working Environment	-10°C~+ 55°C (+14°F~+131°F), Humidity ≤ 90% RH (non-condensing)	
Dimensions (W×D×H)	380mm × 315mm × 53mm (14.9" × 12.4" × 2.1")	
Weight (without HDD)	≤2.6kg (5.29lb)	

# Dimensions



# Rear Panel



WWW.TDSS-US.COM